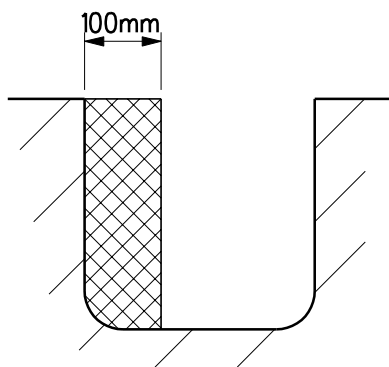
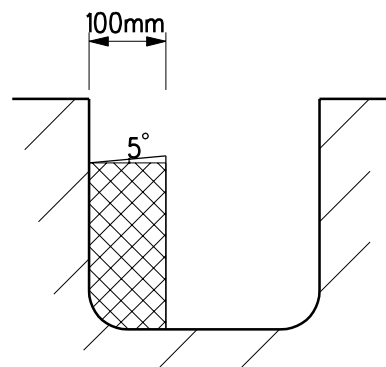


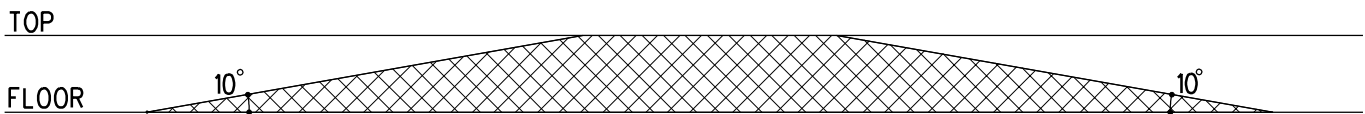
PLAN VIEW



SECTION 1 - 1



SECTION 2 - 2
CROSS-FALL ANGLE OF 5° TO MINIMIZE POSSIBILITY OF ANIMALS FALLING OFF RAMP



SECTION 3 - 3
LONGITUDINAL SECTION - RAMP SLOPES AT ANGLE OF 10° TO FLOOR OF CHANNEL

RAMP EXTENDS 100mm FROM WALL OF CHANNEL, HAS A CROSS-FALL ANGLE OF 5° DIPPING INTO WALL OF CHANNEL, AND RISES FROM FLOOR TO TOP OF CHANNEL AT AN ANGLE OF 10°. RAMP FACES BOTH UPSTREAM AND DOWNSTREAM AND SHOULD BE INSTALLED WHERE U-CHANNEL IS 200-300mm DEEP.